



# RESILIENT SEATED GATE VALVES

## KENNEDY SERIES 319

to EN/ISO Standards

Kennedy Gate Valves, with their unique features, have been used in the water transmission and fire protection industries since 1877. Our series 319 gate valves conform to EN/ISO standards and are designed to maintain the high quality and integrity of existing designs while incorporating many superior features. Series 319 valves are ductile iron with fully encapsulated rubber discs for a bubble tight shut off. Valves are suitable for water and neutral liquids to a maximum operating temperature of 70° C.



### General Specifications

Type: Resilient Seated Ductile Iron Gate Valves

Non Rising Stem, Meets EN Standards

Spigot ended Type

Sizes : DN 50 - DN 300

Working Pressure: 16 Bar

### Models

319: Spigotended, suitable for ISO Class 18 cement pipes.

### Test Pressure

Pressure Testing to EN 1074 -1&2 and EN 12266 -1&2

Seat Test : 1.1 x PN ( 18 Bar)

Body Test : 1.5 x PN ( 24 Bar)

### Coating

Fusion bonded non -toxic epoxy coating WRAS Coated to DIN 30677-2 Standards

Bolts are seated with hot melt

### Options

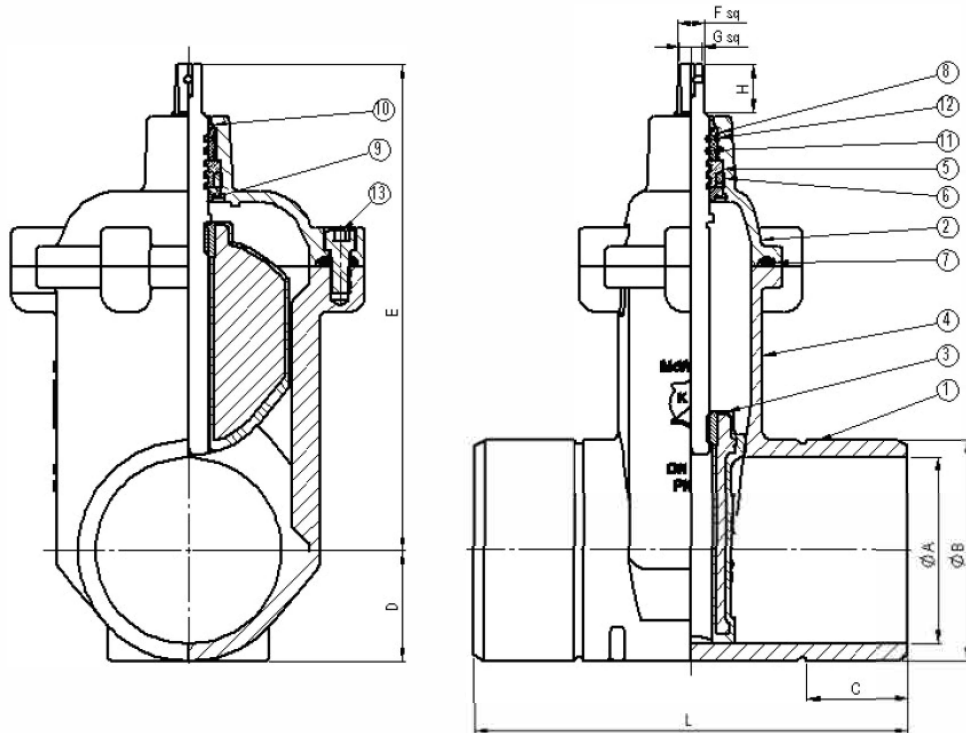
Alternative face to faces dimensions

### Material Specifications ( Trim 301)

Body & Bonnet	: Ductile Iron EN 1563 to EN JS 1050	ORings	: EPDM
Wedge	: EPDM encapsulated Ductile Iron	Thrust Collar	: Copper Alloy, Bronze CW 453K
Stem	: Stainless Steel 316	Bonnet Gasket	: EPDM
Wedge Nut	: Copper Alloy, Bronze CW 453K	Stem Bearing	: Polyamide Polymer
Bolt & Nuts	: Stainless Steel A4	Coating	: Fusion Bonded Epoxy 300 µm

EPDM Rubber available with WRAS approval suitable for potable water. Please check with us for other material combinations.

# DIMENSIONS AND PART LIST – RS Gate Valve Series 319



## COMPONENTS

- |           |                      |                 |                 |
|-----------|----------------------|-----------------|-----------------|
| 1. Body   | 5. Thrust Collar     | 9. Seal         | 13. Bonnet Bolt |
| 2. Bonnet | 6. Thrust Collar Nut | 10. End Seal    |                 |
| 3. Wedge  | 7. Gasket            | 11. O Ring Stem |                 |
| 4. Stem   | 8. Bush              | 12. O Ring Bush |                 |

## Dimensions (mm)

Size	L	D	E	ØA	ØB	C	F	G	H	Wt (kgs)
							Sq	Sq		
DN50	250	33	217	50	66	75	14	16	27	8.5
DN80	280	49	261	80	98	85	17	20	34	13
DN100	300	63	299	100	126	90	19	22	38	21
DN150	350	89	393	150	178	100	19	22	38	40
DN200	400	111	483	200	222	110	24	28	43	56
DN225	425	137	568	225	255	115	27	31	47	87
DN250	450	137	568	250	274	130	27	31	47	90
DN300	500	172	686	300	344	130	27	31	47	170

Kennedy and McWane Gulf are divisions of McWane Inc. USA  
 The specifications and material grades shown are subject to revision without notice based on our product improvement programme.