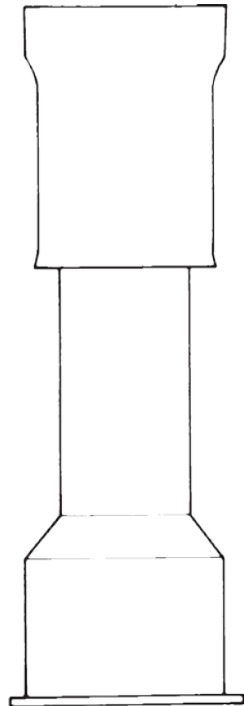




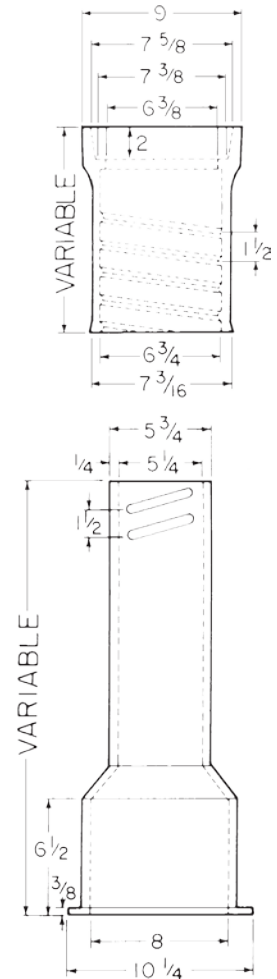
****6850 SERIES
CAST IRON TWO-PIECE VALVE BOXES**
for 4" through 12" valves, 5 1/4" shaft, screw-type

TYLER UNION valve boxes are available either pre-assembled or as individual tops and bottoms. For assembled boxes, The UPC codes shown represent a combination of one top and one bottom in the sizes shown. For unassembled boxes, the UPC code represents only a top or a bottom, not a complete box. Therefore, unassembled boxes require ordering tops and bottoms separately.

****NOTE: Domestic Valve Boxes available in Heavy Duty Only
Non-Domestic available in Standard or Heavy Duty**



**Box Assembled
(Less Lid)**



Box (Components)	Extension*(D-HD)UPCode Height	*(ND-HD)UPCode		*(ND-Std.)UPCode		
		670610	670610	670610	Wt	
461-S (10T + 15B)	19-22	145776	502098	50	112280	35
462-S (10T + 24B)	27-32	145783	502104	58	112297	43
562-S (16T + 24B)	27-37	145790	502111	71	112303	50
563-S (16T + 30B)	33-43	145752	----	78	112310	60
564-S (16T + 36B)	39-50	145806	502128	85	112327	66
662-S (26T + 30B)	36-52	145769	----	93	112341	76
664-S (26T + 36B)	39-60	145813	----	100	112358	82
665-S (26T + 24B)	39-63	375296	----	87	---	---
666-S (26T+24B+60 Ext)	51-71	145820	502135	128	112365	95
668-S (26T+36B+60 Ext)	62-82	145837	----	136	112372	111

NOTE: D=Domestic ND=Non-Domestic HD=Heavy Duty Weight Std.=Standard Weight

Lids marked "WATER" will ship unless otherwise specified:
Also available 5 1/4" Drop Lids"
1)WATER OMA 2)SEWER 3)MWW
4)PLAIN 5)GAS 6)REUSE
Note: Special Lettering Available
Contact Tyler Union for Setup Charge



6850 SERIES
CAST IRON TWO-PIECE VALVE BOXES
 for 4" through 12" valves, 5 1/4" shaft, screw-type

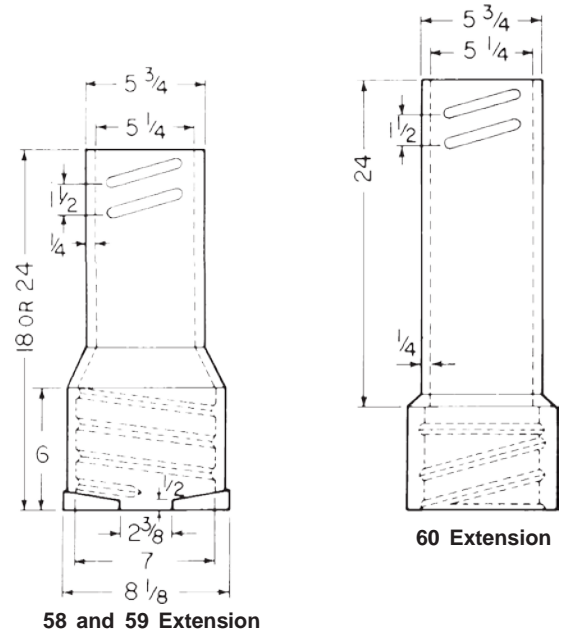
SEPARATE UPCODES for VALVE BOX TOPS ONLY (Less Lids)

Box	TOP Length	**(D-HD) UPCode		**(ND-HD) UPCode		**(ND-Std.) UPCode	
		670610	Wt	670610	Wt	670610	Wt
461-S	(10T)	144939	22	502142	22	112402	15
462-S	(10T)	144939	22	502142	22	112402	15
562-S	(16T)	144946	36	502159	36	112419	22
563-S	(16T)	144946	36	502159	36	112419	22
564-S	(16T)	144946	36	502159	36	112419	22
662-S	(26T)	144953	51	502166	51	112426	38
664-S	(26T)	144953	51	502166	51	112426	38
666-S	(26T)	144953	51	502166	51	112426	38
668-S	(26T)	144953	51	502166	51	112426	38

**NOTE: D=Domestic ND=Non-Domestic HD=Heavy Duty Weight Std.=Standard Weight

EXTENSIONS

Item/Description	Height Increase	**(D-HD) UPCode		**(ND-Std.) UPCode	
		670610	Wt	670610	Wt
#58 Screw-Type	14	145141	29	---	---
#59 Screw-Type	18	145158	30	---	---
#60 Screw-Type	24	145059	37	112389	29



SEPARATE UPCODES for VALVE BOX BOTTOMS ONLY

Box	Bottom Length	**(D-HD)UPCCode		**(ND-HD)UPCCode		**(ND-Std.)UPCCode	
		670610	Wt	670610	Wt	670610	Wt
461-S	(15B)	145004	27	502173	27	112242	20
462-S	(24B)	145011	35	502180	35	112259	28
562-S	(24B)	145011	35	502180	35	112259	28
563-S	(30B)	144991	42	502197	42	112266	38
564-S	(36B)	145028	49	502203	49	112273	44
662-S	(30B)	144991	42	502197	42	112266	38
664-S	(36B)	145028	49	502203	49	112273	44
666-S	(24B)	145011	35	502180	35	112259	28
668-S	(36B)	145028	49	502203	49	112273	44
	(48B)	---	---	---	---	452737	62
	(60B)	---	---	---	---	452744	85

**Note: D=Domestic ND=Non-Domestic HD=Heavy Duty Weight Std.=Standard Weight