



Cast/Ductile Iron Valves
AWWA Standards
For Water & Sewage



McWane is recognized as one of the leading and most experienced manufacturers of AWWA compliant Valves. McWane family of companies Kennedy Valve, Clow Valve and M&H Valve are pioneers in water & sewage transmission and make high quality, proven reliable products from our fully equipped factories located in the USA.

Resilient Seated Gate valves

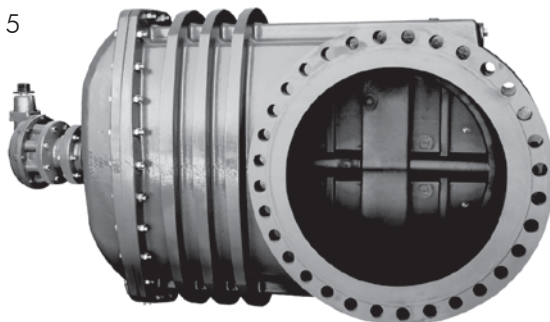
Our gate valves conform to AWWA C 515 with Cast Iron or Ductile Iron body with discs/wedges totally encapsulated with rubber offering bubble tight shut off. Valves are designed with smooth unobstructed and are free of pockets, cavities and depressions in the seat area. Large size valves of 24" and above are with optional clean-track technology for sediment removal from the track.

General Specifications

Type : Resilient Seated Gate Valves to AWWA C 515
 Sizes : 2 1/2" to 54" Flanged Ductile iron body
 Working Pressure : 250 PSI (17.60 bar), Shell Test : 500 PSI
 Coating : AWWA C550, NSF 61 Certified

Models, Ductile Iron body

7561KS-RW : NRS Gate valves, sizes 2 1/2" to 12"
 7068 KS-RW : OS&Y Gate valves, sizes 2 1/2" to 12"
 2638 KS-RW : Gate valves, sizes 14" to 54"
 Flanges : ANSI B16.1 Class 150 FF
 Face to Face : ANSI B16.10
 Options : Flanges Drilled to PN10 & PN16. Bypass valves are available for 30" and above.
 300 PSI Rating (upto 12")
 Operator : Stem cap, Hand Wheel, Extension Stem, Gear Box and Electric Actuators
 18" and above offered with mounted gear box only
 Application : Potable Water, Neutral Water, TSE, Pumping Stations
 Available from Kennedy, M&H and Clow Valves



Dimensions (NRS)

Size (Inches)	2"	2 1/2"	3"	4"	6"	8"	10"	12"	14"	16"	18"	20"	24"	30"	36"
Size (mm)	50	65	80	100	150	200	150	300	350	400	450	500	600	750	900
Rating	250 psi														
F to F (mm)	178	190	203	229	267	292	330	356	381	406	431	457	510	673	781
Weight (Kg)	17	23	25	37	60	92	165	227	407	544	900	960	1270	2300	3800

Kennedy Metal Seated Gate Valve, ARD Rotary Disc

The valve has many superior features compared to a metal seated wedge gate valves. The valve has inherently self cleaning discs by virtue of the rotating discs. Revolving discs, which seat in different positions each time the valve is operated, ensure maximum life in the most exacting conditions and offer a better and longer life service and maintenance free operation versus the conventional wedge gate valves.

General Specifications

Type : Metal Seated Ductile Iron Rotating Gate Valves to AWWA C 500
 Sizes : 2" to 108" (DN50- DN2700) Flanged
 Face to Face : ANSI B16.10
 Flanges : ANSI B16.1 Class 150FF
 Options : PN6, PN10 and, PN16

Models

ARD 52 : NRS GATE VALVES, Metal Seated Rotating Disc
 ARD 59 : OS&Y GATE VALVES, Metal Seated Rotating Disc

Rating

3" to 54" (DN80 – DN1400) : 250PSI & PN16

60" to 66" (DN1400-1650) : 150PSI & PN10

72" to 108" (DN1800-2700) : 100PSI & PN6

Bypass valves are available for 16" and above

Operator : Hand Wheel, Extension Stem, Gear Box and Electric Actuators
 14" and above offered with mounted Gear Box only.

Application : Sewage & Waste Water Plants, Potable Water, Neutral Water, TSE, Sewage

Dimensions (NRS)

Size (Inches)	3"	4"	6"	8"	10"	12"	14"	16"	18"	20"	24"	30"	36"	42"	48"
Size (mm)	80	100	150	200	150	300	350	400	450	500	600	750	900	1050	1200
Rating	250 psi														
F to F (mm)	203	229	267	292	330	356	381	521	559	578	686	762	838	908	1016
Weight (Kg)	29	47	82	125	187	263	380	564	788	1041	1592	2775	4491	5749	8944



M&H Eccentric Butterfly Valves

M&H Butterfly valves conform to AWWA C 504 with Cast or Ductile Iron body with a soft seal ring on the disc. The seal ring is attached to the disc by SS seat retaining rings and locking screws. All valves above 18" is provided with SS Seat. Two piece shaft design is offered for 14" and larger. The valve offers uninterrupted 360 degree reliable and mechanically adjusted sealing as well as reduced wear and lower seating torque.

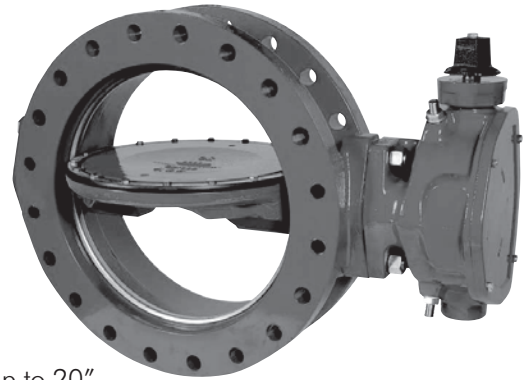
General Specifications

Type : Butterfly valve to AWWA C 504
 Sizes : 3" to 120" (DN 80 - DN 3000) Double Flanged
 Working Pressure : 250 PSI (17.6 bar), Shell Test : 500 PSI up to 54"
 Large sizes are rated to 150PSI (10 bar) Higher rating on request
 Coating : AWWA C550, NSF 61 Certified

Models -Double Flanged

STYLE 4500-02 : Butterfly valve eccentric
 Sizes 3" to 24" Class 150 & Class 250 Ratings
 STYLE 1450-02 : Butterfly valve eccentric
 Sizes 30"to 54", Class 150 & Class 250 Ratings
 Flanges : ANSI B16.1 Class 125/150 FF and 250 FF
 Options : Flanges Drilled to PN10 & PN16, Wafer Design up to 20"
 Operator : Worm Gear, Buried Gear, Electric Actuator
 Extended Stem & Head stock, Hand wheel
 Valves offered with mounted gear box as a standard.

Application : Potable Water, Neutral Water, Desalination Plants, Pumping Stations



Dimensions

Size (Inches)	3"	4"	6"	8"	10"	12"	14"	16"	18"	20"	24"	30"	36"	42"	48"
Size (MM)	80	100	150	200	150	300	350	400	450	500	600	750	900	1050	1200
Rating	250 psi														
F to F (MM)	140	140	146	175	234	241	241	244	244	244	247	350	256	359	445
Weight (KG)	38	38	50	72	114	150	234	272	351	407	535	840	1180	2040	2860

Flanged Non Return Valves

The swing check valves offered conform to AWWA C 508 with Cast/Ductile Iron body for use On water, oil and gas lines. The valve is available with free shaft or lever and weight mechanism. Valves are available in both soft seated or metal seated design.

General Specifications

Type : Swing check Valve to AWWA C 518
 Sizes : 3" to 30" Flanged Cast /Ductile Iron Body
 Working Pressure : 200 PSI (14 bar), Shell Test : 400 PSI (27 bar) up to 12"
 14" and Larger sizes are rated to 150 PSI (10 bar)
 Coating : AWWA C550, NSF 61 Certified

Models

1106 : Swing check Valve, Bronze faced, 200 PSI sizes 3" to 12"
 1106A : Swing check Valve, Rubber faced,, 200 PSI sizes 3" to 12"
 M&H 159-02A : Swing check Valve, Rubber faced, 150 PSI sizes 14" to 30". Lever and weight
 Flanges : ANSI B16.1 Class 125 / 150 FF
 Options : Flanges Drilled to PN10 & PN16, Grooved Designs
 Operator : LW Lever and weight, LS Lever and Spring, Limit Switches, Air Cushion Cylinders
 Application : Potable Water, Neutral Water, TSE, Sewage
 Available from Kennedy, M&H and Clow Valves



Dimensions

Size (Inches)	2 "	3"	4"	6"	8"	10"	12"	14"	16"	18"	20"	24"	30"
Size (mm)	50	80	100	150	200	150	300	350	400	450	500	600	750
Rating	200 psi							150 psi					
F to F (mm)	203	241	292	355	495	622	698	762	889	927	953	1118	1257
Weight (Kg)	24	28	52	88	145	216	309	520	739	832	1134	1549	2470



Kennedy Eccentric Plug Valves

Our eccentric Plug valves conform to AWWA C 517 with Cast Iron body with rectangular port with a large port area resulting in high CV value. The plug is totally encapsulated with Buna N Rubber offering a tight shut off. Valves are designed with welded Nickel Seat for long life. Valves are offered with a position indicator and memory stop.

General Specifications

Type : Resilient Seated Eccentric Plug Valve generally to AWWA C
 Sizes : 3" to 24" Flanged Cast Iron Body
 Working Pressure : 175 PSI (12 bar), Shell Test : 260 PSI up to 14"
 Large sizes are rated to 150 PSI (10 bar)
 Coating : AWWA C550, NSF 61 Certified

Models

F5412 : Plug Valve Eccentric Type, Flanged, sizes 3" to 24",
 Flanges : ANSI B16.1 Class 125 / 150 FF
 Face to Face : ANSI B16.10
 Options : Flanges Drilled to PN10 & PN16
 Offered with Mounted Gear Box.
 Application : Waste Water Plants, TSE, Sewage, Slurries, Neutral Water



Dimensions (NRS)

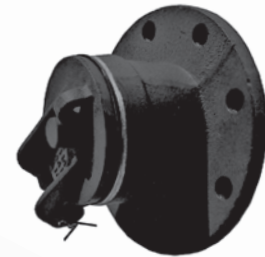
Size (Inches)	3"	4"	6"	8"	10"	12"	14"	16"	18"	20"	24"	
Size (mm)	80	100	150	200	150	300	350	400	450	500	600	
Rating	175 psi						150 psi					
F to F (mm)	203	229	266	292	330	355	431	451	546	597	762	
Weight (Kg)	30	50	69	98	140	188	334	410	520	645	955	

Flap Valve

The Flap valves are of circular port design with offset single pivoted hinge with Cast/Ductile Iron body with bronze seat rings. Valves unseat and swing open under unseating pressure to release the outfall fluid and close when the pressure is relieved. These valves are generally utilised on final effluent outfalls for sewage treatment plants to prevent flood damage within the plant.

Models

3012 : Flap Valve Flanged End, suitable to fix on ANSI150 Flanges
 Sizes : 4" to 30"
 Application : TSE, Tidal Water, Sea Water



Accessories

Indicator Post
 Floor Stands / Head Stocks Model F5500
 Floor Box & Surface Boxes Model F5695
 Extension Stems
 T Handle Wrenches Model F2520
 Electric Actuators



Middle East:

McWane International FZE, P O Box 263362, Jebel Ali Dubai, U.A.E. Tel.: +971 4 88 94 877

International Sales Office & Contact Centre:

McWane International, 1201 Vanderbilt Road, Birmingham AL 35234, USA, Ph: 205-716-6600

Fax : 205-324-7250 email : inquiries@mcwaneintl.com, www.mcwaneinternational.com

The specifications and material grades shown are subject to revision without notice based on our product improvement programme