



Resilient Wedge Gate Valve

KENNEDY KS RW 7561 & 7068

AWWA C 515

Kennedy Gate valves with its unique features have been used in water and fire protection Industry for over 100 years. Our gate valves conforms to AWWA C 515 with Cast Iron or Ductile Iron body with discs / wedges totally encapsulated with Rubber offering bubble tight shut off. Valves are designed with smooth unobstructed and are free of pockets, cavities and depressions in the seat area. The valves are available with NRS (non-rising stem) and OS&Y configurations.

The valve has only two moving internal parts the gate and the stem. The gate is fully supported throughout travel by an integrally cast tongue and groove fit between it and the valve body. A dual rubber seal is formed between the rubber encapsulated resilient wedge and the valve body to guarantee drop-tight shut-off every time. The combination of true compression and dynamic wedging of the gate is created without harmful sliding, shearing or other wear-inducing action.

The massive vulcanized rubber seating edges on the gate self-absorb normal wear and tear, assuring a positive seal, even after years of service. The valve will seal bubble-tight to 250 psi working pressure, with the flow in either direction and the valve in any position. The valve features an unobstructed, thru-conduit flow path for full flow capacity. Closed, the valve provides bottle-tight, zero leakage in either direction at full rated differential pressure with dual body gate seating.

General Specifications

Type : Resilient Seated Ductile Iron Gate Valves to AWWA C 515

Sizes : 2" to 16" Flanged

Working Pressure : 250 PSIG (17.2 Bar)

Models

7561 : NRS Gate Valves, Flanged

7068 : OS&Y Gate Valves, Flanged

Flange Drilling

ANSI B 16.1 / ASME B 16.5 Class 125 /150 FF

Options : Flanges Drilled to PN16

Mechanical Joint (MJ) or TYTON ends available

Flange Face in RF /FF options

Face to Face

ANSI B 16.1

Test Pressure

Seat Test : 400PSI (27 Bar) to AWWA C 515

Body Hydraulic : 500 PSI (34bar) to AWWA C 515

Options : Test pressure to meet EN1074-1 standard for PN16 Valves

Coating

Fusion bonded nontoxic epoxy coating NSF 61 Certified and meeting AWWA C-550 Standards. Standard color Red.

UL/FM Approvals*

UL/FM Approved for 200 PSIG Rating

Accessories and Optionals

Tapped pipe plug on valve body

Indicator Posts,

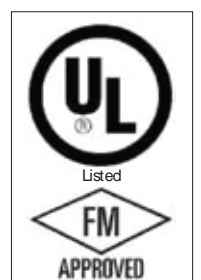
Hand wheels, "T" Handles, Extension Stems

Stem Guides, Floor Boxes, Stem caps

Square Operating Nuts, Chain Wheels

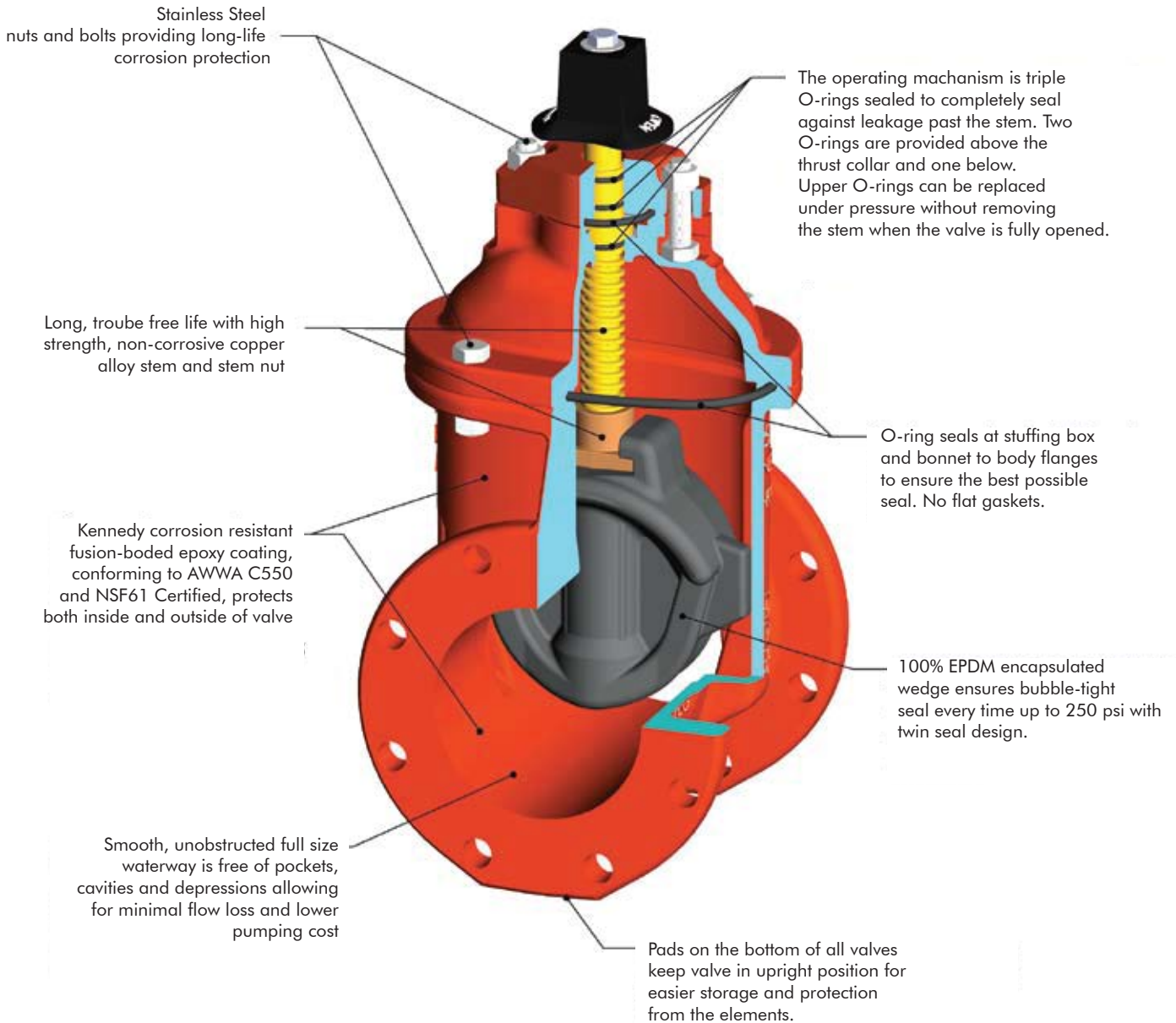
Floor Stands (non-rising stem),

Gear Boxes for 14" and above



*Remarks: Options and sizes are limited to UL/FM models. Please check with us prior to ordering.

Engineering Features KS RW



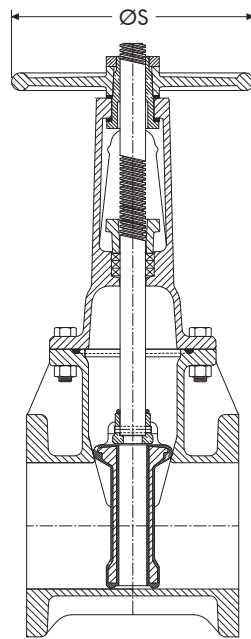
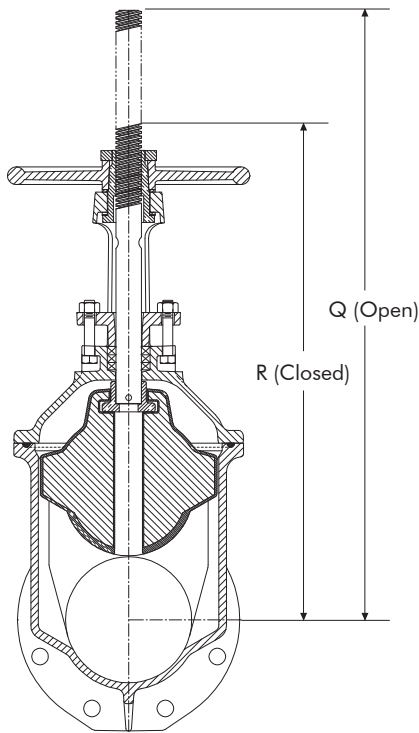
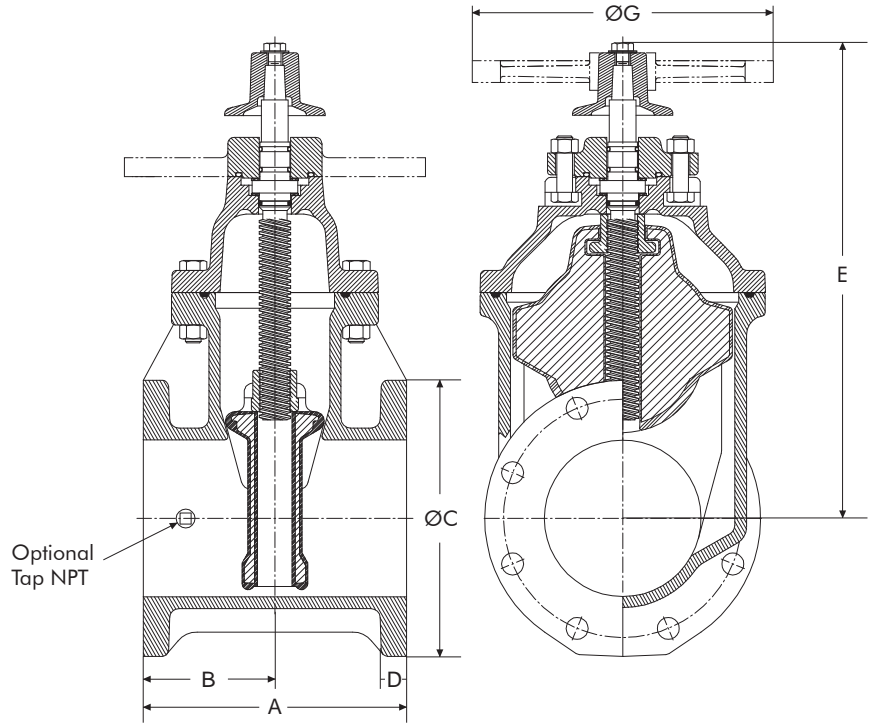
Material of Construction KS RW 7561 SS & 7068 A

Body	: Ductile Iron ASTM A536 Gr. 70-50-5	O Rings	: NBR
Bonnet / Yoke	: Ductile Iron ASTM A536 Gr. 70-50-5	Thrust Washer Bearing	: Delrin / Nylatron
Wedge	: EPDM Encapsulated Ductile Cast Iron	Bolt & Nuts	: Stainless Steel 304
Stem	: Bronze ASTM B584 C86700 (NRS) Stainless Steel ASTM A276 Type SS 304 (OS&Y) Options -Stainless Steel ASTM A 276 Type SS316 -Brass ASTM B16 C36000	Bonnet O Ring	: NBR
Stem Nut	: Bronze ASTM B584 C86700	Packing for OS&Y	: Lubricated Fiber
		Hand wheel	: Grey Cast Iron ASTM A126
		Stem Cap 2" Sq. Nut	: Grey Cast Iron ASTM A126 Gr. B
		Coating	: Fusion Bonded Epoxy (230 Microns)

Remarks : Ductile Iron ASTM A536 Gr. 70-50-5 is comparable to EN 1563

Dimensions KS RW

MODEL 7561
NON RISING STEM TYPE



MODEL 7068 A
OS&Y RISING STEM TYPE

* Face to face dimensions conform to ASME B16.10
Standard Flange Drilling ANSI 150 FF, Other drillings on request

SIZE INCHES	SIZE MM	A	B	C	D	7561 NRS			7068 A OS&Y			
						E	G	Weight KG	Q	R	S	Weight KG
2"	50	178	89	152	16	276	184	16	305	254	184	17
2½"	65	190	95	178	17	289	184	23	416	352	184	23
3"	80	203	102	191	19	314	254	25	479	397	254	29
4"	100	229	114	229	24	375	254	37	603	464	254	48
6"	150	267	133	279	25	483	305	60	765	603	305	69
8"	200	292	146	343	29	572	356	92	959	743	356	115
10"	250	330	165	406	30	673	457	165	1162	899	457	194
12"	300	356	178	483	32	762	457	227	1349	1032	457	264
14"	350	381	191	476	35	959	559	295	1899	1518	559	288
16"	400	406	203	539	38	959	559	327	1899	1518	559	334

Dimensions are in mm.

COMMITTED TO ENVIRONMENTAL RESPONSIBILITY

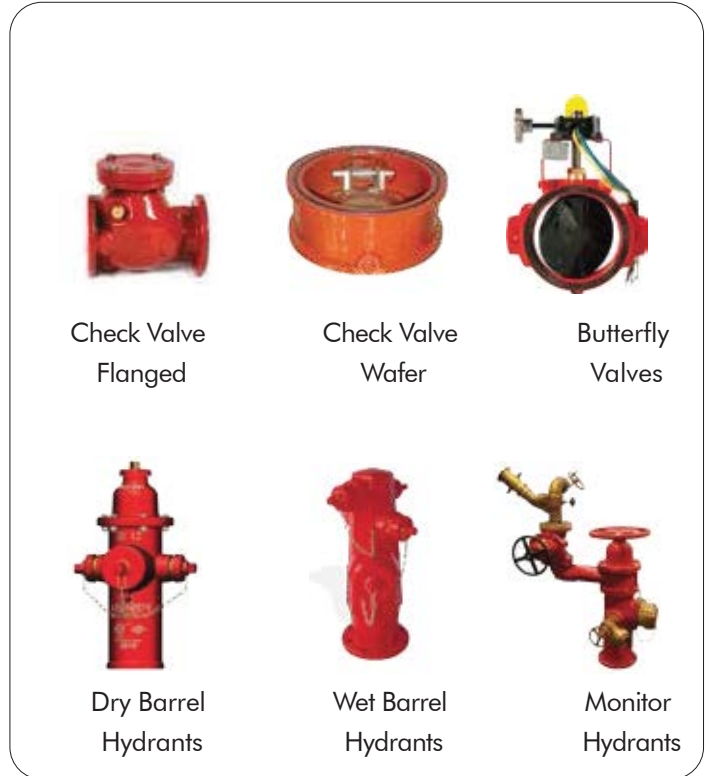
McWane Inc. is committed to protecting our natural resources through environmentally responsible manufacturing practices including the use of 80% plus recycled content in our valves and hydrants.

McWane is the largest manufacture of fire hydrants in USA with more than 14 foundries and three valve manufacturing units. Our range of Resilient Seated Gate valves range in sizes from 2" to 58" sizes. We manufacture a wide range of Pipes, Fittings, Isolation Valves, Fire Hydrants, Fire Suppression Systems etc. to meet various customer needs.

OPTIONAL EXTRAS FOR GATE VALVES



UL/FM PIPE LINE PRODUCTS RANGE



www.mcwaneinternational.com

McWane International, 1201 Vanderbilt Road, Birmingham AL 35234, USA,
Ph.: 205-716-6600, Fax: 205-324-7250, email: inquiries@mcwaneintl.com

Kennedy Valve:

1021 East Water Street Elmira, NY 14902 USA

M & H Valve:

605 West 23rd Street Anniston, AL 36201 USA

Clow Valve:

902 South Second Street Oskaloosa, IA 52577 USA

McWane International FZE

P O Box 263362, Jebel Ali , Dubai UAE