



# RESILIENT SEATED GATE VALVES

KENNEDY SERIES 31

to EN/ISO Standards

Kennedy Gate Valves with their unique features have been used in the water and fire protection industries since 1877. Our Series 31 Gate valves conform to EN / ISO standards and have been designed to maintain the high quality and integrity of existing designs but incorporates many superior features like unique integral wedge nut and a maintenance free triple stem seal design. Series 31 Gate Valves are made in Cast Ductile Iron body with wedges totally encapsulated in Rubber, offering bubble tight shut off. Valves are designed with smooth unobstructed flow paths and are free of pockets, cavities and depressions in the seat area.

Valves are suitable for water and neutral liquids to a maximum temperature of 70°C.



### General Specifications

Type: Resilient Seated Ductile Iron Gate Valves  
Non Rising Stem, Meets EN Standards  
Sizes : DN 50 - DN 400  
Working Pressure: 16 Bar

### Models

311: Face to Face ISO 5752 Series 3  
314: Face to Face ISO 5752 Series 14  
315: Face to Face ISO 5752 Series 15

### Flanges

EN 1092-2 PN16

### Face to Face

EN 558 & ISO 5752 standards

### Test Pressure

Pressure Testing to EN 1074 - 1&2 and EN 12266-1&2  
Seat Test : 1.1 x PN ( 18 Bar)  
Body Test :1.5 x PN ( 24 Bar)

### Coating

Fusion bonded non-toxic epoxy coating NSF 61  
Coated to DIN 30677-2 Standards  
Bolts are seated with hot melt

### Options

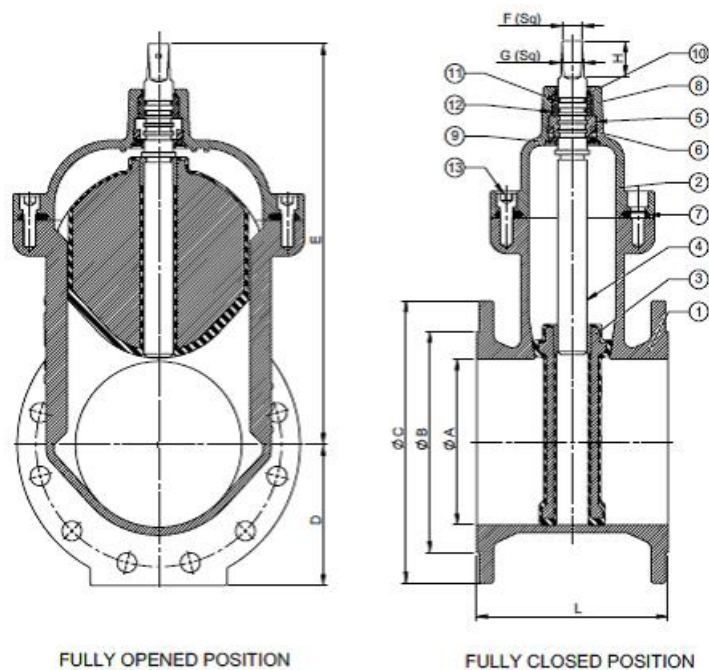
Stem Cap, Hand wheel, T-Key  
Alternative flange drilling  
ISO Top Flange

### Material Specifications ( Trim 301)

Body & Bonnet	: Ductile Iron EN 1563 to EN JS 1050	O Rings	: EPDM
Wedge	: EPDM encapsulated Ductile Iron	Thrust Collar	: Copper Alloy, Bronze CW 453K
Stem	: Stainless Steel 316	Bonnet Gasket	: EPDM
Wedge Nut	: Copper Alloy, Bronze CW 453K	Stem Bearing	: Polyamide Polymer
Bolt & Nuts	: Stainless Steel A4	Coating	: Fusion Bonded Epoxy 300 μm

EPDM Rubber available with NSF 61 approval suitable for potable water.  
Please check with us for other material combinations.

# DIMENSIONS AND PART LIST – RS Gate Valve Series 31



## COMPONENTS

- |           |                      |                 |                 |
|-----------|----------------------|-----------------|-----------------|
| 1. Body   | 5. Thrust Collar     | 9. Seal         | 13. Bonnet Bolt |
| 2. Bonnet | 6. Thrust Collar Nut | 10. End Seal    |                 |
| 3. Wedge  | 7. Gasket            | 11. O Ring Stem |                 |
| 4. Stem   | 8. Bush              | 12. O Ring Bush |                 |

## DIMENSIONS (mm) for PN 16

Size DN	L			D	E	ØA	ØB	ØC	F (Sq)	G (Sq)	H	WeightApprox.(Kg.)		
	Model 314	Model 311	Model 315									Model 314	Model 311	Model 315
50	150	178	250	82.5	217	50	99	165	13.5	16	26.5	12	12	13
65	170	190	270	92.5	234	65	118	185	17	20	34	15	15	16
80	180	203	280	100	261	80	132	200	17	20	34	16	17	18
100	190	229	300	110	299	100	156	220	19	22	38	20	21	23
125	200	254	325	125	355	125	184	250	19	22	38	33	35	36
150	210	267	350	142.5	393	150	211	285	19	22	38	40	42	45
200	230	292	400	170	483	200	266	340	24	28	43	60	63	68
250	250	330	450	200	568	250	319	400	27	31	47	84	89	96
300	270	356	500	227.5	686	300	370	455	27	31	47	148	157	173
350	290	-	-	260	762	350	429	520	32	37	55	205	-	-
400	310	-	-	290	842	400	480	580	32	37	55	254	-	-

Kennedy and McWane Gulf are divisions of McWane Inc. USA  
 The specifications and material grades shown are subject to revision without notice based on our product improvement programme