



# RESILIENT SEATED SWING CHECK VALVE PN 16

## KENNEDY SERIES 228

to EN/ISO Standards

Kennedy Check Valves with their unique features have been used in the water and fire protection industries since 1877. Our Series 228 Check valves conform to EN / ISO standards and have been designed to maintain the high quality and integrity of existing designs but incorporates many superior features like full bore and compact design. The valves are constructed in such a way that all internal parts can be replaced without removing the valve from the line. The valve can be installed horizontally as well as vertically. Series 228 check valves are made in cast ductile iron body with disc totally encapsulated in rubber. The valves are offered with lever and weight operator.

Valves are suitable for water and neutral liquids to a maximum temperature of 70° C.



### General Specifications

Type : Swing Check Valve Resilient Seated with Lever and Weight  
 Size Range : DN50 – DN300  
 Working Pressure : 16 Bar  
 Ends : Flanged

### Flanges

EN 1092-2 PN16

### Face to Face

EN 558-2 & ISO 5752 Series 10

### Test Pressure

Pressure Testing to EN 1074 - 1&3  
 Seat Test : 1.1 x PN ( 18 Bar)  
 Body Test : 1.5 x PN ( 24 Bar)

### Coating

Fusion bonded non-toxic epoxy coating NSF 61  
 Coated to DIN 30677-2 standards

### Options

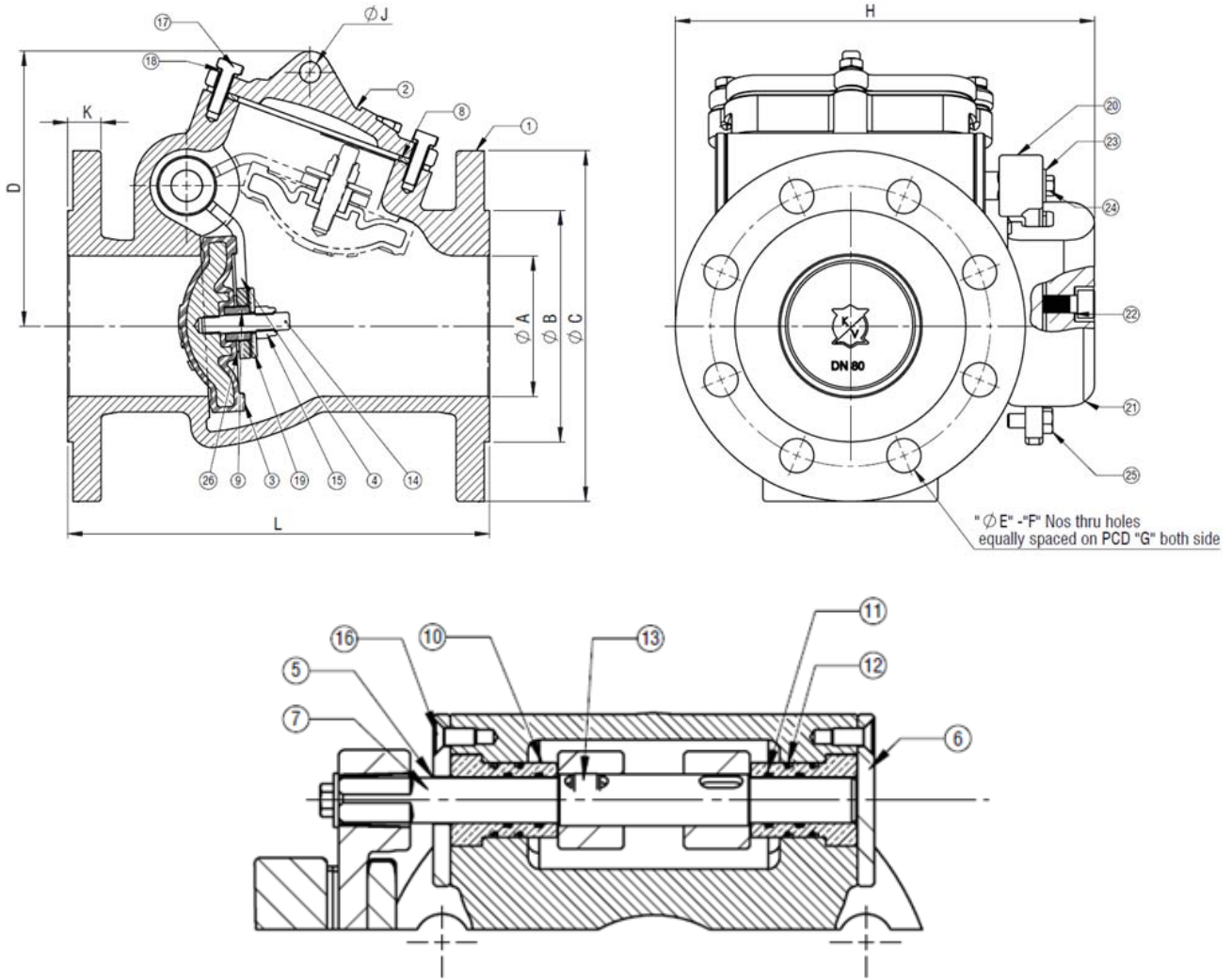
Guard kit for lever and weight.  
 Lever and weight, mounted RHS as standard,  
 - can be mounted LHS on request.  
 Tapping plug  
 Free shaft option up to DN 150

### Material Specifications

Body and Cover	: Ductile Iron EN-1563 to EN JS 1050	'O' - Rings	: EPDM
Disc	: EPDM Encapsulated Ductile Iron	Gasket	: EPDM
Hinge, END CAP, Spacer, Shaft	: Stainless Steel 316	Bolts, Stud, & Nuts	: A4-80
Bush	: Copper Alloy (Ph. Bronze)	Washer	: SS 316
Sleeve	: Acetal	Dowel Pin	: SS 316
Lever & Counter Weight	: Ductile Iron EN JS 1050	Coating	: FBE 300 μm

DN50 available with free shaft design only  
 EPDM Rubber available with NSF 61 Approval suitable for Potable Water.  
 Please check with us for other material combinations.

# DIMENSIONS AND PART LIST – RS Check Valve Series 228



## COMPONENTS

- |                      |                 |                     |                      |
|----------------------|-----------------|---------------------|----------------------|
| 1. Body              | 8. Gasket       | 15. Hex Nut         | 22. Allen Bolt       |
| 2. Cover             | 9. Sleeve       | 16. CSK Screw - Cap | 23. Washer - Lever   |
| 3. Disc Encapsulated | 10. Bush        | 17. Hex Bolt Cover  | 24. Hex Bolt - Lever |
| 4. Hinge             | 11. O Ring Stem | 18. Washer - Cover  | 25. Hex Bolt - Lever |
| 5. END Cap – Open    | 12. O Ring Cap  | 19. Wide Washer     | 26. Spacer           |
| 6. END Cap – Closed  | 13. Dowel Pin   | 20. Lever           |                      |
| 7. Shaft             | 14. Stud        | 21. Counter Weight  |                      |

## DIMENSIONS (mm) for PN 16

SIZE	L	ØA	ØB	ØC	D	Flange			H	J	K	Wt Kgs
						ØE	F Nos.	ØG PCD				
DN 50 *	203	50	99	165	117	19	4	125	165	8	19	10
DN 80	241	80	132	200	156	19	8	160	240	12	19	20
DN 100	292	100	156	220	166	19	8	180	262	12	19	25
DN 150	356	150	211	285	218	23	8	240	340	14	19	50
DN 200	495	200	266	340	280	23	12	295	420	14	20	82
DN 250	622	250	319	400	355	28	12	355	507	22	22	137
DN 300	698	300	370	455	390	28	12	410	561	24	25	177.5

\*DN 50 Available with free shaft design only.

Kennedy and McWane Gulf are divisions of McWane Inc. U.S.A  
The specifications and material grades shown are subject to revision without notice based on our product improvement programme.