



# DOUBLE ORIFICE AIR RELEASE VALVE PN16

## KENNEDY SERIES 112

to EN/ISO Standards

Kennedy double orifice air release valve combine both large and small orifices within one valve and offers solution for releasing and adding air to water pipelines, protecting pipe line systems and improving efficiency. The three function automatic air valve discharge the large volume of air during charging of the pipeline, admit air during emptying of the pipeline and discharge air accumulated under normal operating conditions. Our series 112 air valve offered with a kinetically designed large orifice and float to avoid premature closing of the valve by the discharging air. The small orifice is sealed by a float at all pressure above atmospheric except when air accumulates in the valve body. Series 112 air valves are made in ductile cast iron body with floats in stainless Steel.

Valves are suitable for clean and neutral water to a maximum temperature of 70° C.



### General Specifications

Type : Double Orifice Air Release Valve  
SS Float  
Sizes : DN 50 - DN 200  
Working Pressure : 16 Bar

### Flanges

EN 1092-2 PN16

### Test Pressure

Pressure Testing to EN 1074-1&4  
Seat Test : 1.1 x PN ( 18 Bar)  
Body Test : 1.5 x PN ( 24 Bar)

### Coating

Fusion bonded non-toxic epoxy coating NSF 61  
Coated to DIN 30677-2 Standards.

### Options

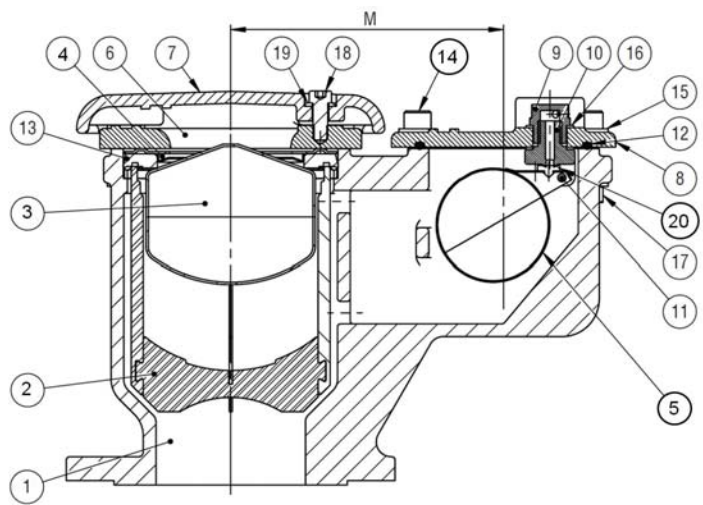
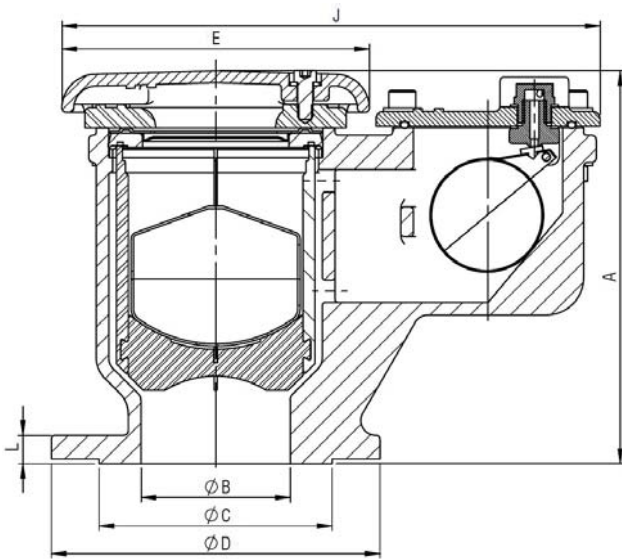
Drain plug  
Isolating valve

### Material Specifications

Body, Bonnet and Cowl	Ductile Iron EN 1563 to EN JS 1050
Seat ring, Sealing face, Rubber Washer, O-Ring	EPDM
Nozzle Holder, Nozzle	Acetal
Washer, Nut, Socket Head Cap Screw, Pin	Stainless steel A4/ SS316
Seal ring, Guide top, Guide bottom, Guide ring	Stainless steel SS316
Small and Large orifice Float	Stainless steel SS316

Remarks : Valves are not recommended for sewage service and pressure surge applications

# DIMENSIONS AND PART LIST – ARV Series 112



Flange "F" Nos thru holes of dia "G" equally spaced on PCD of "H"

## COMPONENTS

- |                        |                         |                           |                           |
|------------------------|-------------------------|---------------------------|---------------------------|
| 1. Body                | 6. Large Orifice Bonnet | 11. Pin                   | 16. Rubber Washer         |
| 2. Float Guide         | 7. Cowl                 | 12. O - Ring              | 17. Nut                   |
| 3. Large Orifice float | 8. Small Orifice Bonnet | 13. Seat Ring             | 18. Socket Head cap Screw |
| 4. Seal Ring           | 9. Nozzle Holder        | 14. Socket Head cap Screw | 19. Washer                |
| 5. Small Orifice float | 10. Nozzle              | 15. Washer                | 20. Sealing Face          |

## DIMENSIONS (mm) for PN 16

SIZE DN	A	ØB	ØC	ØD	E	Flange			J	L	M	Weight Kgs
						F Nos	ØG	ØH PCD				
50	260	50	99	165	175	4	19	127	342.5	19	182.5	20
80	260	80	132	200	156	8	19	160	240	19	182.5	21
100	263.5	100	156	220	206	8	19	180	360.5	19	182.5	26
150	303	150	211	285	246	8	23	240	403	19	205	35
200	303	200	266	340	304	12	23	295	459.5	20	235	45

Kennedy and McWane Gulf are divisions of McWane Inc. USA  
The specifications and material grades shown are subject to revision without notice based on our product improvement programme